



Technical data

MCB distribution for lighting circuits | heating circuits | socket distribution

Marking accd. to 2014/34/EU	Ⓢ II 2 G Ex de ia/ib m [ia/ib] IIC T6/T5/T4 Ⓢ II 2 D Ex tD A21 IP66/IP65 T80 °C, T95 °C
EC-Type Examination Certificate	PTB 99 ATEX 1044
Permissible ambient temperature	-20 °C up to +40 °C -55 °C up to +55 °C (option)
IECEX Certificate of Conformity	IECEX BKI 06.0007
Marking accd. to IECEx	Ex de ia/ib m [ia/ib] T4 ... T6 Ex tD A21 IP66 T80 °C
Rated voltage	up to 690 V (depends on components)
Rated current	up to 315 A (depends on components)
Protection class	I (II as an option)
Terminal cross section	up to 300 mm <sup>2</sup>
Degree of protection accd. to EN 60529	IP66
Weight	see ordering details
Enclosure material	glass-fibre reinforced polyester
Enclosure colour	black

6

Ordering details distribution for lighting circuits

Content	Type	MCB 2-pole	Connection terminals	Cable glands	Weight approx.	Order No.
40 A	1	8 x 16 A	10 mm <sup>2</sup>	1 x M40 cable gland 8 x M25 cable gland	20 kg	EXKO 214 600 G 0000
80 A	2	12 x 16 A	16 mm <sup>2</sup>	1 x M50 cable gland 12 x M25 cable gland	32 kg	EXKO 214 600 G 0001
80 A	3	24 x 16 A	16 mm <sup>2</sup>	1 x M50 cable gland 24 x M25 cable gland	56 kg	EXKO 214 600 G 0002

Ordering details distribution for heating circuits

Content	Type	RCBO 2-pole	Connection terminals	Cable glands	Weight approx.	Order No.
40 A	1	8 x 16 A, 30 mA	10 mm <sup>2</sup>	1 x M40 cable gland 8 x M25 cable gland	20 kg	EXKO 214 600 G 0003
80 A	2	12 x 16 A, 30 mA	16 mm <sup>2</sup>	1 x M50 cable gland 12 x M25 cable gland	32 kg	EXKO 214 600 G 0004
80 A	3	24 x 16 A, 30 mA	16 mm <sup>2</sup>	1 x M50 cable gland 24 x M25 cable gland	56 kg	EXKO 214 600 G 0005

Ordering details distribution for sockets

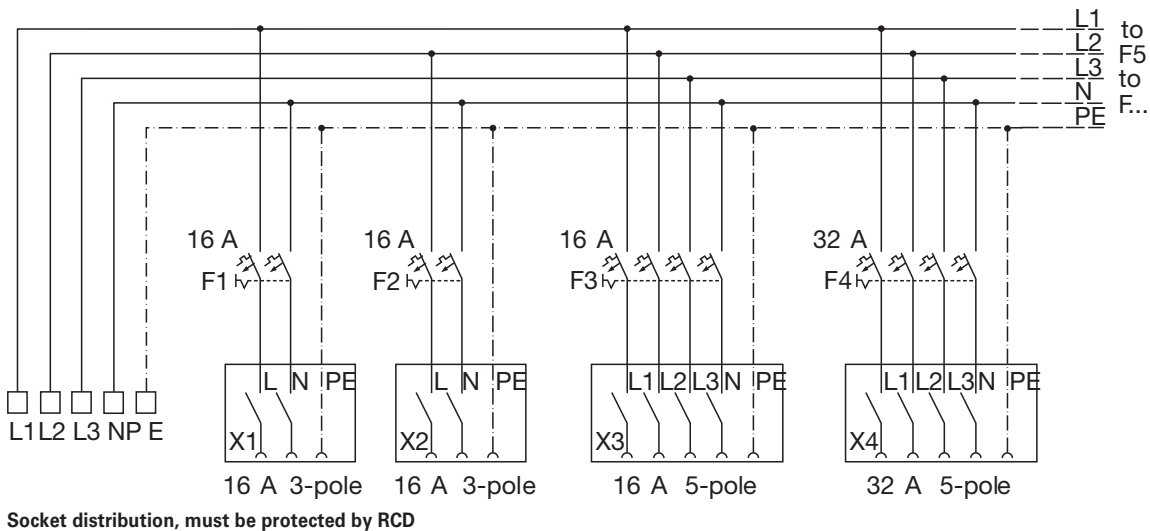
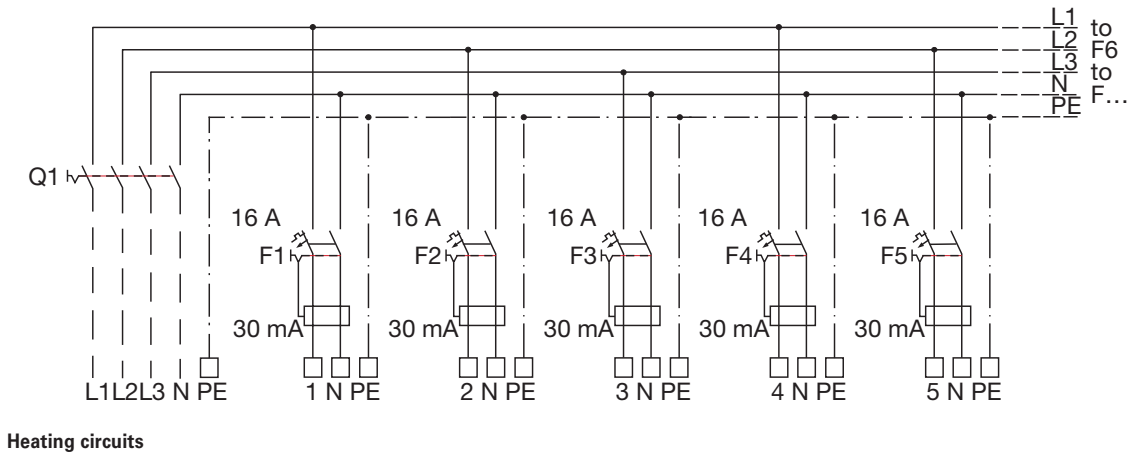
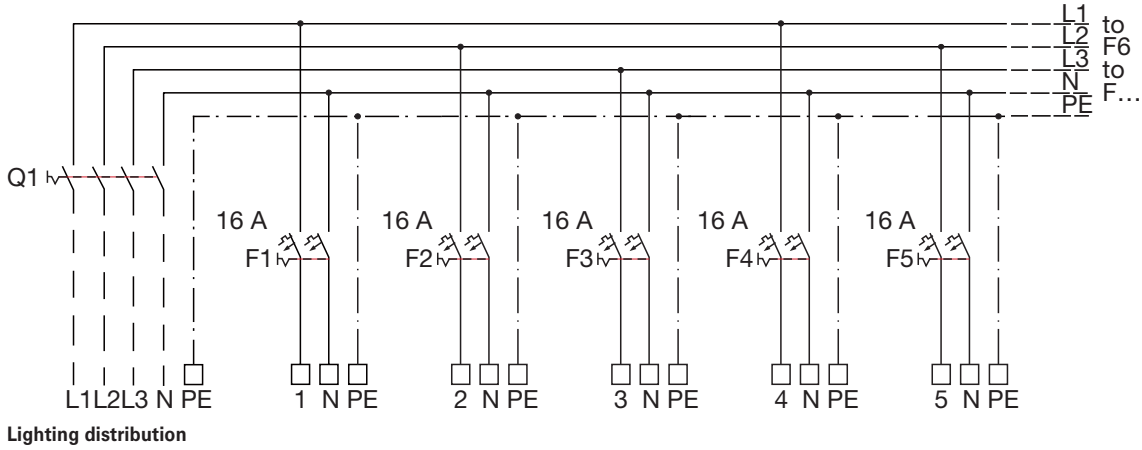
Content MCB	Type	Socket outlets	Cable glands	Weight approx.	Order No.
2 x 16 A	1	2 x 16 A 3-pole	1 x M40 cable gland	10 kg	EXKO 233 800 C 0001
2 x 16 A 1 x 32 A	2	1 x 16 A 3-pole 1 x 16 A 5-pole 1 x 32 A 5-pole	1 x M40	20 kg	EXKO 233 800 C 0002
4 x 16 A	3	2 x 16 A 3-pole 2 x 16 A 5-pole	1 x M40	25 kg	EXKO 233 800 C 0003

**MCB distribution for lighting circuits, heating circuits, socket distributions**



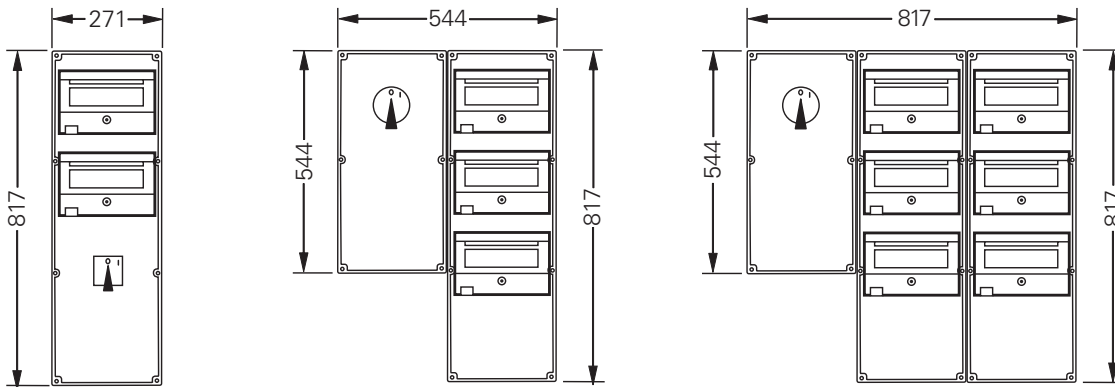
**Wiring diagram lighting distribution | heating circuits | socket distribution**

6





Dimension drawing lighting distribution | heating circuits | socket distribution

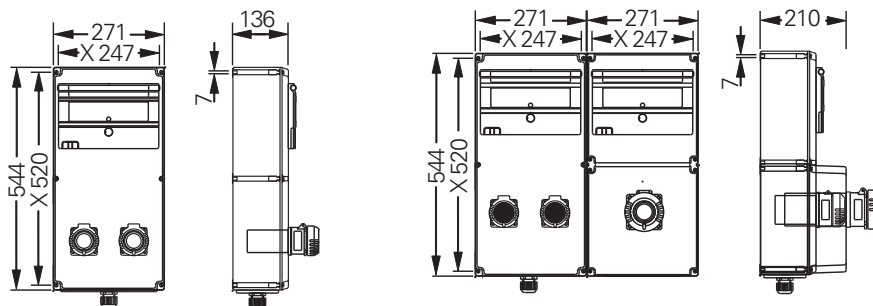


Type 1

Type 2

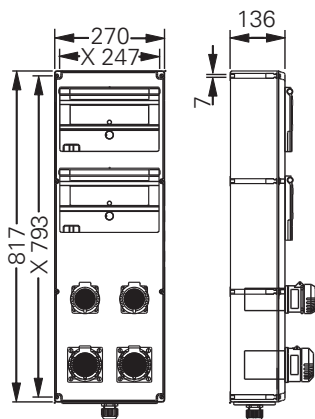
Type 3

Lighting distribution/heating circuits



Type 1

Type 2



Type 3

Socket distribution

X = fixing dimension